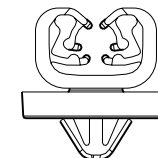
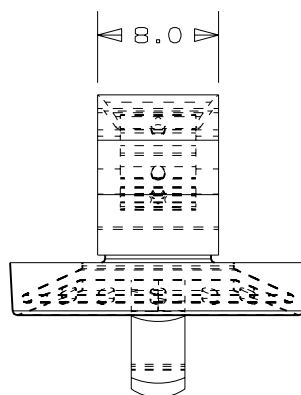
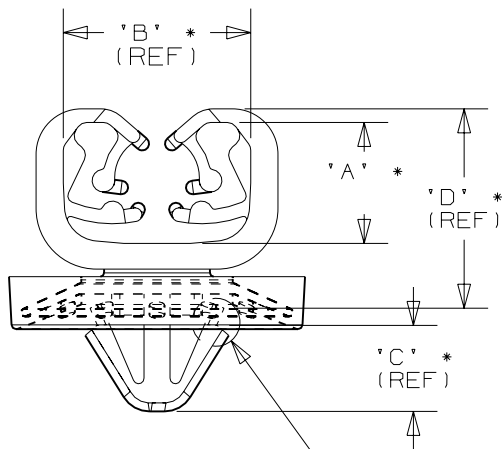


PANDUIT PART NO.	BUNDLE DIA. MIN-MAX.	DIMENSIONS				WEIGHT	
		'A'	'B'	'C'	'D'	grams	100 pcs
HCAG04B06-___20	4 - 6	8.0	12.4	5.1	13.0	164	

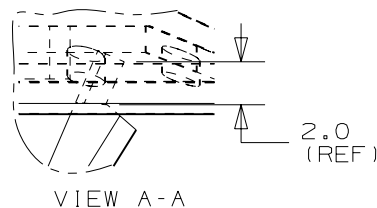
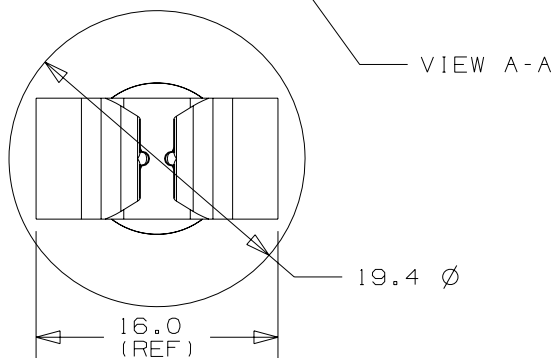


SCALE: FULL



NOTES:

- SEE CURRENT PRICE SHEET FOR PART NUMBER SUFFIX DESIGNATION FOR PACKAGE SIZE, AND COLOR.
- MATERIAL:
CLIP - NYLON 6/6
GASKET - TPE (STYRENIC BASED ELASTOMER)
COLOR: BLACK
- HOLE DIAMETER: 6.5 - 6.7
PANEL THICKNESS: 0.5 - 0.7
- (*) DIMENSIONAL VARIANCE IS POSSIBLE DUE TO MOLDING PROCESS RELATED SINKMARKS.



CAD FILENAME/LAYERS		G01932BH_PB_HCAG04B06_05	
PANDUIT CORP.		TINLEY PARK, ILLINOIS	
HARNESS CLIP WITH PUSH MOUNT ANCHOR AND GASKET			
Unless otherwise specified, all dimensions are metric tolerance; ±0.5mm			

REV	DATE	BY	CHK	DESCRIPTION	ECN	R	CUST	SUP	DRAWN BY	MAT'L:	SCALE	DRAWING NO.	DWG SIZE
5	2-28-06	TMSA		REMOVED INSERTION FORCE DIMENSION	GB1932BH	5			JAD		2X		
4	4/28/03	JAD		COMPLETELY REVISED, REMOVED GERMAN TEXT	GB1932BH	4				SEE NOTE 2			
												GB1932BH	A